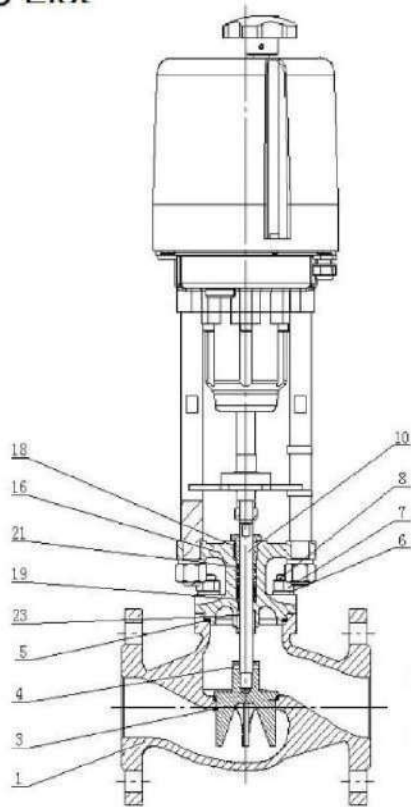
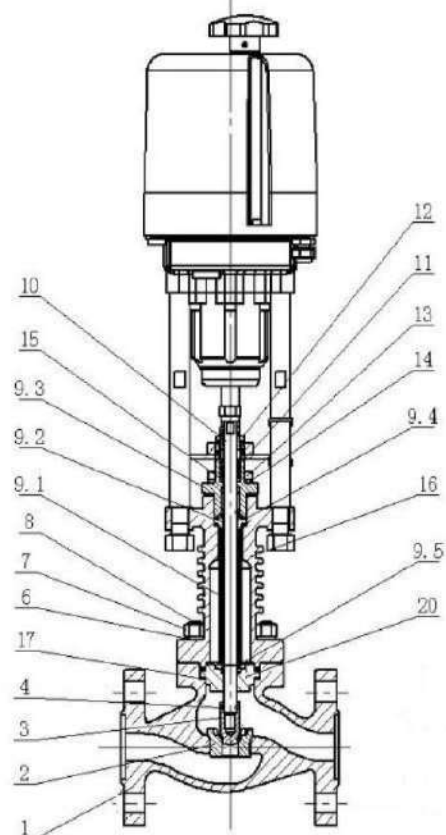


KT-28 Two Way Control Valve With Electric Actuator

Parts List



KT-28 without Bellows

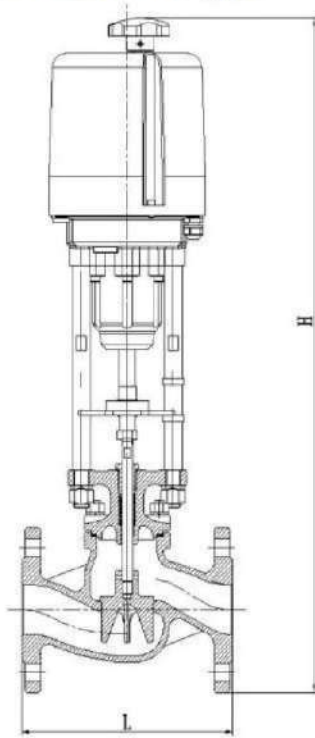


KT-28 with Bellows

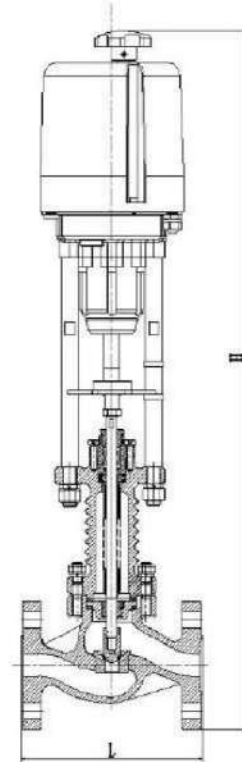
No.	Name	Material
1	Valve Body	ASTM A351 CF8 / ASTM A216 WCB
2	Valve Seat	A249 TP304
3	Plug	ASTM A351 CF8 / A180 F304
4	Round Pin	A182 F304
5	Spiral Wound Gasket	A182 F304+graphite
6	Spring Washer	A182 F304 / SA1035
7	Hexagon Nut	A182 F304
8	Double End Stut	ASTM A193M-B7 / A194-B8
9.1	Bellows	AISI 316Ti
9.2	Gasket	Pure Graphite
9.3	Packing Box	A182 F304
9.4	Washer	Pure Graphite
9.5	Weld Joint	A182 F304
10	Stem	ASTM 431
11	Packing	Pure Graphite
12	Gland Nut	Brass
13	Hexagon Screw	ASTM A193M-B8
14	Spring Washer	ASTM A194-8
15	Washer	Brass
16	Bonnet	ASTM A351 CF8 / ASTM A216 WCB
17	Spiral Wound Gasket	A182 F304+pure Graphite
18	Gland Nut	Brass
19	V-ring	PTFE
20	Guiding Plate	ASTM 5140 40Cr
21	Spring	A182 F304
23	Bushing	A182 F304

Remark: Other materials on request.

Dimension and Weight



KT-28 without Bellows



KT-28 with Bellows

		DN		15	20	25	32	40	50	65	80	100	125	150	
		L (mm)		130	150	160	180	200	230	290	310	350	400	480	
PN10/ PN16	KT-28 without Bellows	TAS/TAM	H	mm	582.5	627.5	687.5	740	738	760.5	789.5	888	914	941	-
			W	kg	12	13	14	17	19	22	34	42	47	57	-
	KT-28 with Bellows	TAS/TAM	H	mm	611.9	657.5	719.9	775	775.8	802.8	836.3	949.8	979.4	1007.3	-
			W	kg	13	14	15	18	21	24	37	46	52	63	-
PN25	KT-28 without Bellows	TAS/TAM	H	mm	582.5	627.5	687.5	740	738	760.5	789.5	888	921.5	-	-
			W	kg	12	13	14	17	19	22	34	42	47	-	-
	KT-28 with Bellows	TAS/TAM	H	mm	611.9	657.5	719.9	775	775.8	802.8	836.3	949.8	986.9	-	-
			W	kg	13	14	15	18	21	24	37	46	52	-	-
PN40	KT-28 without Bellows	TAS/TAM	H	mm	582.5	627.5	687.5	740	738	760.5	789.5	888	-	-	-
			W	kg	12	13	14	17	19	22	34	42	-	-	-
	KT-28 with Bellows	TAS/TAM	H	mm	611.9	657.5	719.9	775	775.8	802.8	836.3	949.8	-	-	-
			W	kg	13	14	15	18	21	24	37	46	-	-	-
		NPT		1/2"	3/4"	1"	1 1/4"	1 1/2"	2"	2 1/2"	3"	4"	5"	6"	
ANSI 150	KT-28 without Bellows	TAS/TAM	H	mm	579.5	624	684	729	726.5	754	786	883	918.5	-	-
			W	kg	11	12	13	16	18	20	31	37	42	-	-
	KT-28 with Bellows	TAS/TAM	H	mm	608.9	654	716.4	764	764.3	796.3	832.8	944.8	983.9	-	-
			W	kg	11	12	14	17	19	21	34	41	47	-	-
ANSI 300	KT-28 without Bellows	TAS/TAM	H	mm	579.5	624	684	729	726.5	754	786	883	-	-	-
			W	kg	11	12	13	16	18	20	31	37	-	-	-
	KT-28 with Bellows	TAS/TAM	H	mm	608.9	654	716.4	764	764.3	796.3	832.8	944.8	-	-	-
			W	kg	11	12	14	17	19	21	34	41	-	-	-

Remark: Above datas are for Standard Material WCB, other materials and pressure ratings on request.

Features:

1. Brushless DC motor with three levels speed adjusting function according to different applications, ensures high level of applicability and reliability.
2. Intelligent configuration with two ways communication. Analogue input signal of 4-20 mA or ON/OFF (please specify when ordering) from the instruments is acceptable, in order to carry out 0-100% valve stroke correspondingly. Feedback signal of 4-20 mA can be sent out simultaneously for effective valve's position monitoring.
3. Four characters LED panel displays the actual position of the valve. Travel limits or input signal can be set up easily, which minimizes overshooting effectively and provides dependable and high accuracy control.
4. Self diagnostic alarm system offers protection against motor overheating, travel overshooting, thrust limiting and instantaneous travel reversal. Operation records can be provided for easy maintenance.
5. Fail-safe function operates the valve towards preset position in case of input signal failure, thus safety is guaranteed.
6. Resilient coupling ensures tight valve closure.
7. An easy to operate and reliable manual override hand wheel provides emergency closing or opening of the valve in case of power failure.
8. Housing meets IP65 requirements which can be used in rugged industrial environments.





TAM Series Linear Electric Actuator



Technical Data

Model	TAM-02	TAM-03	TAM-04	TAM-06	TAM-08	TAM-10	TAM-12	TAM-14	TAM-16	TAM-20	TAM-25
Thrust (kN)	2	3	4	6	8	10	12	14	16	20	25
Operating Speed, 3 levels switchable (mm/s)	0.12/0.25 / 0.38 / 0.5			0.17/0.35 / 0.53 / 0.7			0.22/0.45 / 0.67 / 0.9			0.27/0.55 / 0.83 / 1.1	
Stroke (mm)	50						80				
Power Supply	AC 110V 50/60 Hz / AC 220V 50/60 Hz / DC 24V (If Other Range is needed, please enquire)										
Power Consumption (W)	7.5			16			38			106	
Torque Switch	2 pcs, fixed exchange capacity 10A 250V										
Travel Switch	2 pcs, fixed exchange capacity 10A 250V										
Input Signal	4 - 20 mA, the input of the load impedance <100 Ω (If other range is needed, please enquire)										
Output Signal	4 - 20 mA, the input of the load impedance ≤350 Ω (If other range is needed, please enquire)										
Signal of Ptentiometer	0 - 1 kΩ										
Max. Transistor Output	30 VDC, 30 mA										
Sensitivity (%)	0.1 - 5										
Lagging	50 % of sensitivity										
Communication Protocol	RS485 Modbus (If other range is needed, please enquire)										
Max. Cable Diameter (mm)	8										
Enclosure EN60529	IP65										
Ambient Temp.	-20 °C to +60 °C										

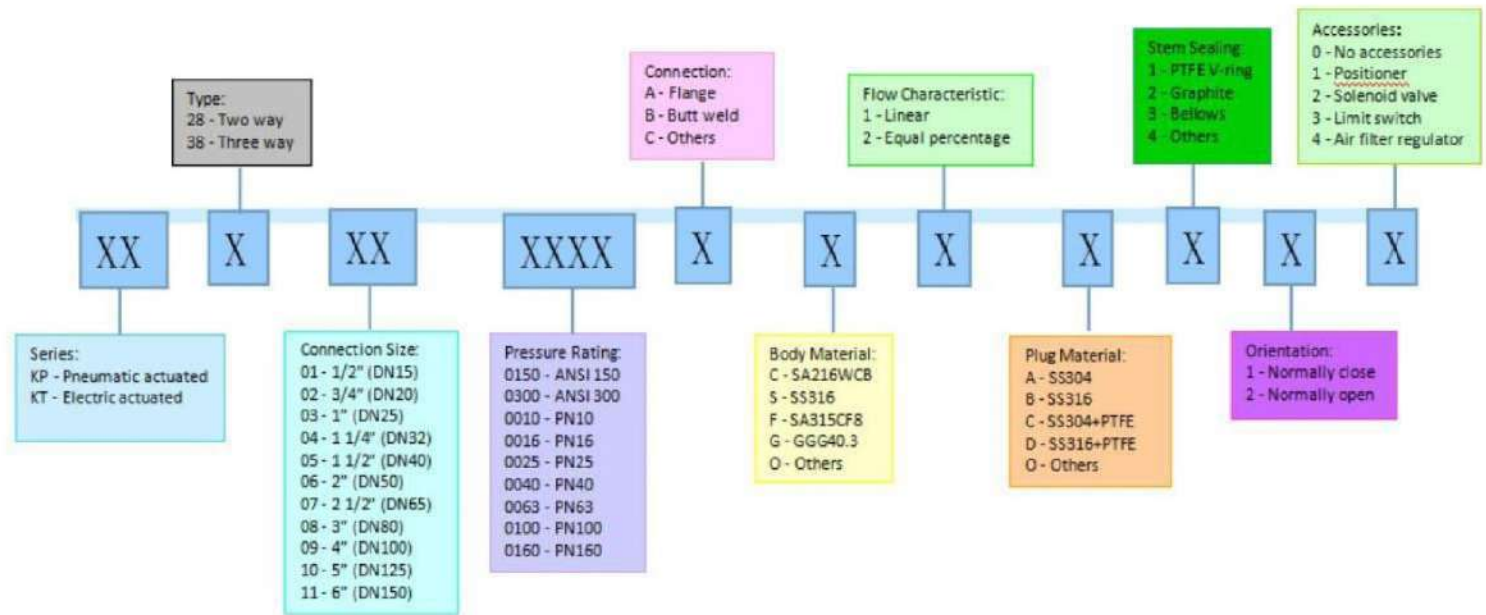
Electric Actuator Selection

Model	DN	15	20	25(PN64)	25	32	40	50	65	80	100	125	150	200	250
	NPT	1/2"	3/4"	1"	1"	1 1/4"	1 1/2"	2"	2 1/2"	3"	4"	5"	6"	8"	10"
	Dia.(mm)	15.0	20.0	16.0	25.0	32.0	42.0	55.0	68.0	80.0	102.0	125.0	150.0	200.0	250.0
	Travel(mm)	15.0	15.0	15.0	15.0	15.0	20.0	20.0	25.0	25.0	30.0	40.0	40.0	50.0	55.0
	Thrust(KN)	Closing Pressure (bar)													
TAM-02	2.0	90.6	51.0	79.6	32.6	19.9	11.6	6.7	4.4						
TAM-03	3.0	135.9	76.4	119.4	48.9	29.9	17.3	10.1	6.6	4.6					
TAM-04	4.0	181.2	101.9	159.2	65.2	39.8	23.1	13.5	8.8	6.1					
TAM-06	6.0		152.9	238.8	97.8	59.7	34.7	20.2	13.2	9.2	5.6				
TAM-08	8.0				130.4	79.6	46.2	26.9	17.6	12.2	7.5	5.0			
TAM-10	10.0					99.5	57.8	33.7	22.0	15.3	9.4	6.3			
TAM-12	12.0					119.4	69.3	40.4	26.4	18.4	11.3	7.5	5.2		
TAM-14	14.0						80.9	47.2	30.9	21.4	13.2	8.8	6.1		
TAM-16	16.0						92.4	53.9	35.3	24.5	15.1	10.0	7.0	3.9	
TAM-20	20.0							67.4	44.1	30.6	18.8	12.5	8.7	4.9	3.1
TAM-25	25.0							84.2	55.1	38.2	23.5	15.7	10.9	6.1	3.9



KP-28 & KT-28 Two Way Control Valve

Product Configuration



Pressure-temperature rating according to DIN EN1092-1/2, ASME16.34 and manufacturers standard

Material	DIN	ASME				EN	GB	JIS	Applicable Temp. °C	Applicable Pressure kgf	Applicable Media
	Casting	Casting		Forging		Casting	Casting	Forging			
		Spec.	Grade	Spec.	Grade						
Carbon Steel	1.0619	ASTM A 261	WCB	A105			WCB	SCPH2	-29 to +425°C		Non-Corrosive
	1.7357	ASTM A 217	WC6	A182	F11		WC6	G5151-SCPH21	-29 to +540°C	≤ 320	
	1.7380	ASTM A 217	WC9	A182	F12		WC9	G5151-SCPH32	-29 to +570°C		
Ductile Iron	GGG-40	ASTM A 536	60-40-18			EN-GJS400-18	QT400-18	FCD400	-30 to +350°C	≤ 40	Non-Corrosive
	GGG-50	ASTM A 536	65-45-12			EN-GJS450-10	QT450-18	FCD450	-30 to +350°C		
Stainless Steel	1.4308	ASTM A 351	CF8		F304		ZG0Cr18Ni9	SUS304	-254 to +800°C		Corrosive
	1.4408	ASTM A 351	CF8M		F316		ZG0Cr17Ni12Mo2	SUS316	-254 to +540°C	≤ 160	
	1.4571	ASTM A 959	316 Ti				ZG0Cr18Ni12Mo2Ti	SUS316 Ti	-254 to +540°C		
Duplex Steel	1.4462	ASTM A 240	S31803				ZG03Cr26Ni5Mo3N	DP8	-29 to +815°C		Corrosive
	1.4507	ASTM A 240	32750				ZG00Cr25Ni6Mo3CuN	UR52N+	-29 to +650°C	≤ 320	